

cegard/Mini-CC

Technical data

FEATURES

- ▶ Meets all requirements under EN 81-20
- ▶ Ideal for both static and dynamic applications
- ▶ Criss-cross beams remain active up to complete door closure
- ▶ IP65 (Standard) and IP67 (waterproof) versions available
- ▶ Low energy consumption
- ▶ Requires no grounding (earth)
- ▶ Edge can be front or side mounted – mounting holes are compatible with the range of CEDES MiniMax and cegard/Max light curtains



OPTICAL

Operating range		0 ... 4 m
Protection height	32 elements	1,800 mm
	36 elements	1,600 mm
No. of optical elements		32 / 36
No. of beams	32 elements	154 beams remain active to complete door closure
	36 elements	174 beams remain active to complete door closure
Max. ambient light		100,000 Lux

MECHANICAL

Dimensions (w × h × l)		12 × 16 × max. 2,000 mm
Housing material		Black anodized aluminum
Enclosure rating		IP65
Temperature range (operation)		-40°C ... +60°C

ELECTRICAL

Supply voltage U_{Sp}		10 ... 30 VDC
Typ. current consumption at 24 VDC		45 mA (without load)
Output		PNP/NPN (push-pull)
Output logic		NO/NC selectable
Max. output load		120 mA, 100 nF
Typ. response time with	32 elements	120 ms
	36 elements	120 ms

GENERAL

EMC emission		EN 12015:2014
EMC immunity		EN 12016:2013
Vibration		IEC 60068-2-6:2007
Shock		IEC 60068-2-27:2008
Cable durability		IEC 60227-2:2003
RoHS		2011/65/EU
Certificates		CE, UKCA, CSA

CONNECTION CABLE AND ELECTRICAL CONNECTION

Emitter

Cable length		5 m
Diameter		Ø 3.5 mm
Material		PVC, black
Connection		M8, 4-pin, Ø 9.5 mm
Plug color		White
Wires		AWG26
• brown		U_{Sp}
• blue		GND (0 V)
• black		Not used
• white		Not used

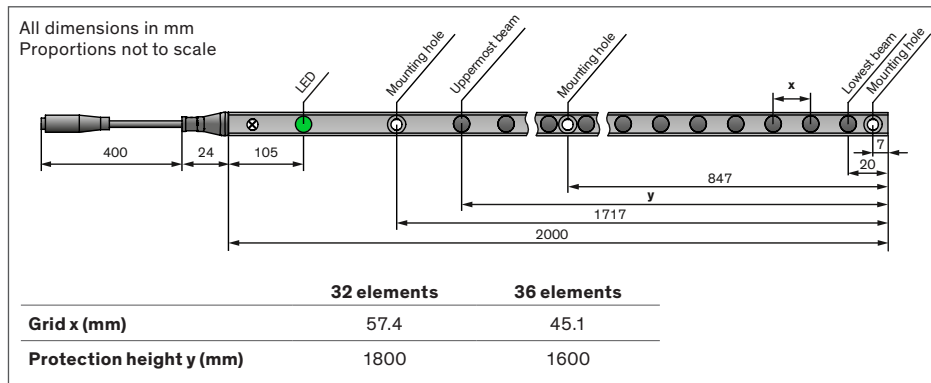
Receiver

Cable length		5 m
Diameter		Ø 3.5 mm
Material		PVC, black
Connection		M8, 4-pin, Ø 9.5 mm
Plug color		Blue
Wires		AWG26
• brown		USP
• blue		GND (0 V)
• black		Output
• white		Selectable output logic

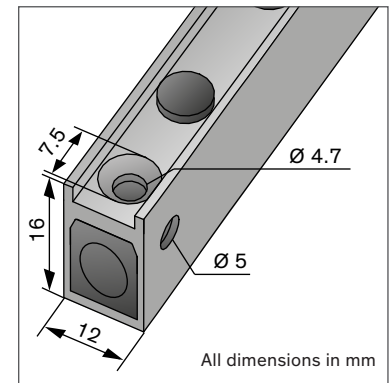


CEDES AG is certified according to ISO 9001: 2015.

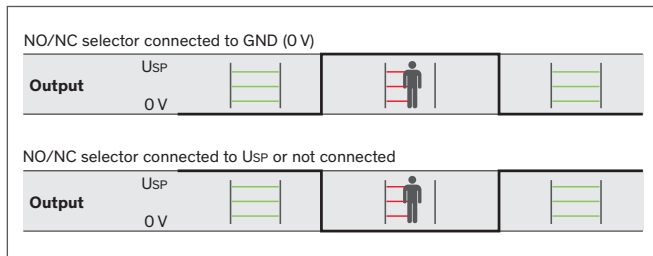
Dimensions



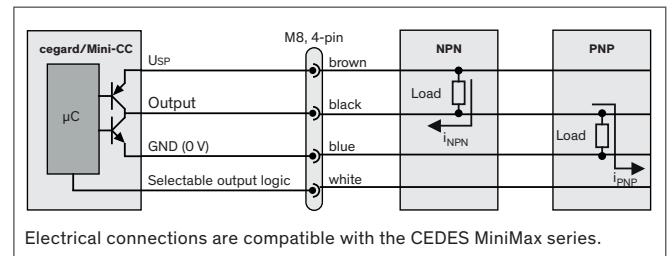
Detailed view



Selectable output logic

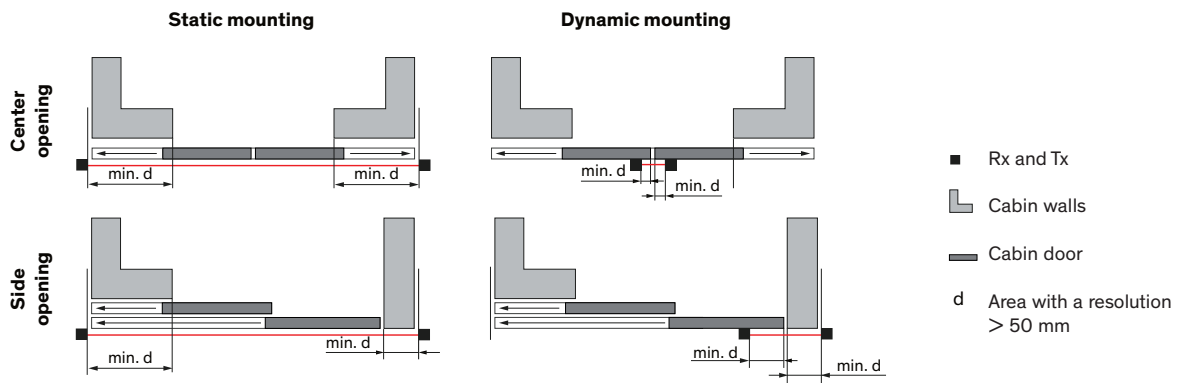


PNP / NPN output

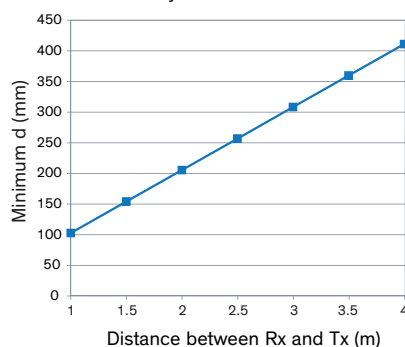


EN 81-20 light curtain - mounting requirements

EN 81-20 requires a detection capability of 50 mm up to a height of 1,600 mm of the door opening. CEDES offers two light curtains which fulfill this requirement in different installation situations. The light curtain with 36 elements achieves a 50 mm resolution even at a distance of „0 mm“ between the two edges. The light curtain with 32 elements must be installed recessed according to the minimum distance ‚d‘ to the door opening or to the front edge of the door as shown below.



Mounting position (32 elements)
 Static and dynamic installation



Mounting position (36 elements)
 Static and dynamic installation

No restrictions regarding the mounting positions of the light curtain are in place.